

RoofSupport PVbox

SMA.SB.STP60.T1.W



Conduct Technical Solutions BV
Aalborg 4
2993LP Barendrecht

Details:



RoofSupport PVbox

SMA.SB.STP60.CP.T1.W

Cover

Drawn by: S. Vanpraet

Date: 18-2-2019

Page

001

INDEX

PAGE	DESCRIPTION	DRAWING TYPE	DRAWN BY	DATE
001	Cover	Title page / cover sheet	S. Vanpraet	18-2-2019
050	Index	Table of contents	S. Vanpraet	18-2-2019
100	Power supply	Schematic multi-line	S. Vanpraet	18-2-2019
600	Cabinet layout	Model view	S. Vanpraet	18-2-2019
601	Cabinet layout	Model view	S. Vanpraet	18-2-2019
700	Product list	Summarized parts list	S. Vanpraet	18-2-2019

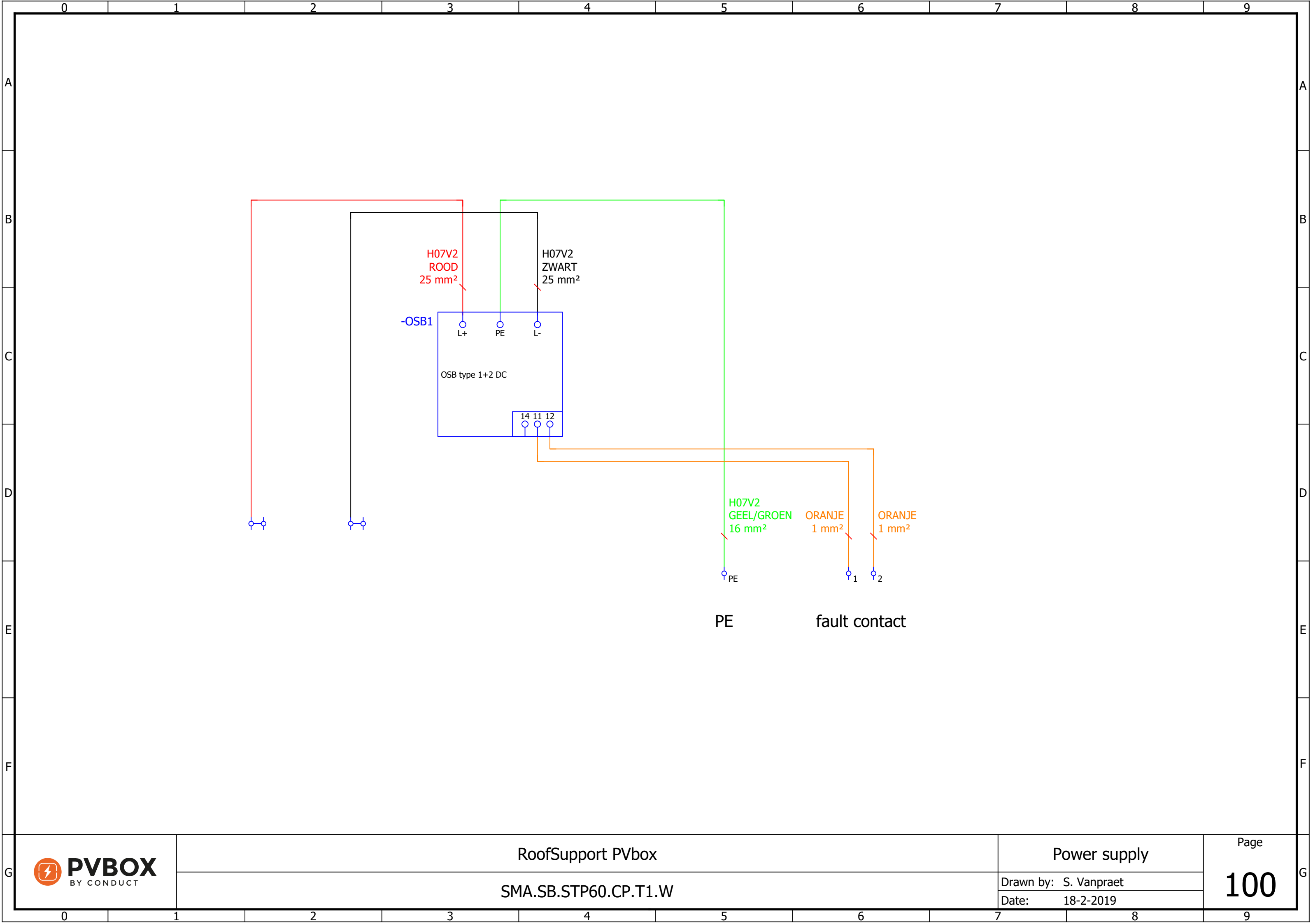


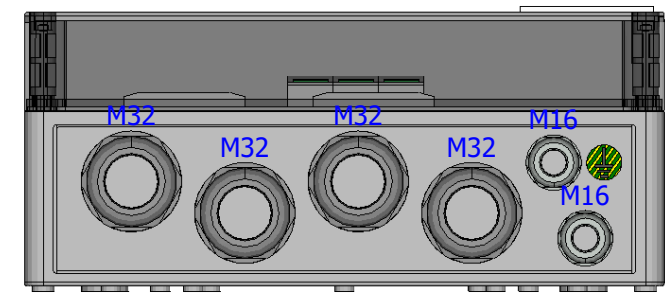
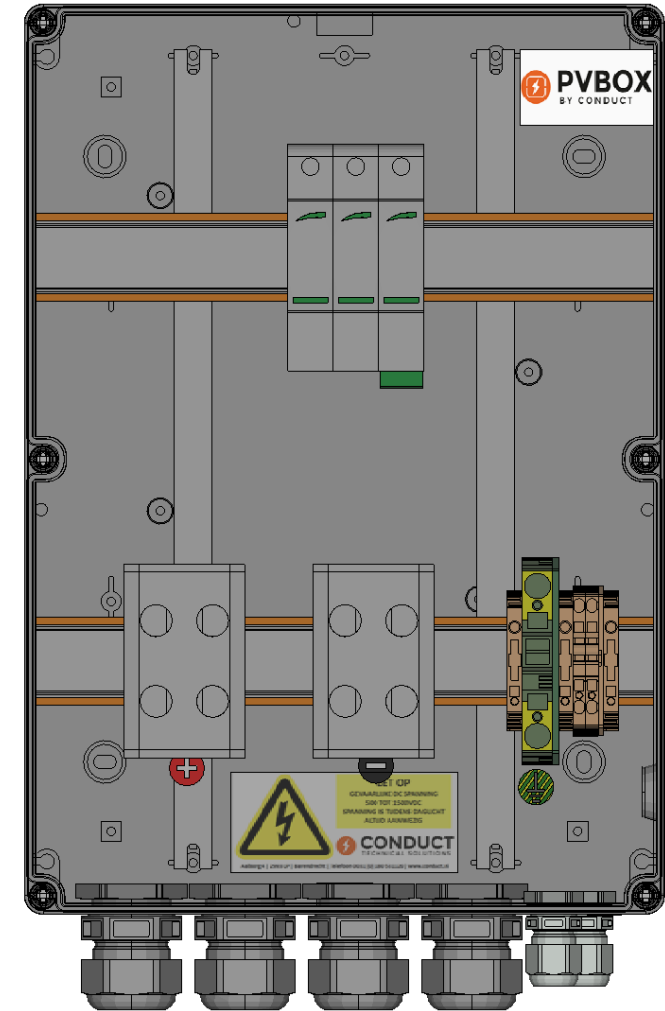
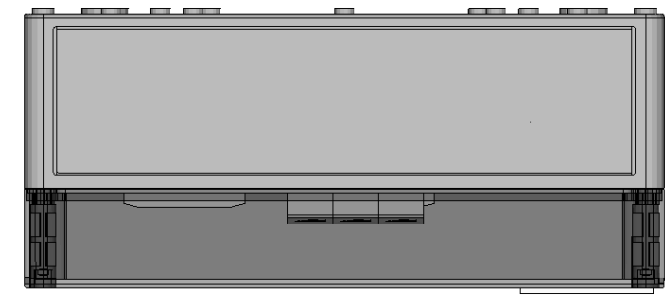
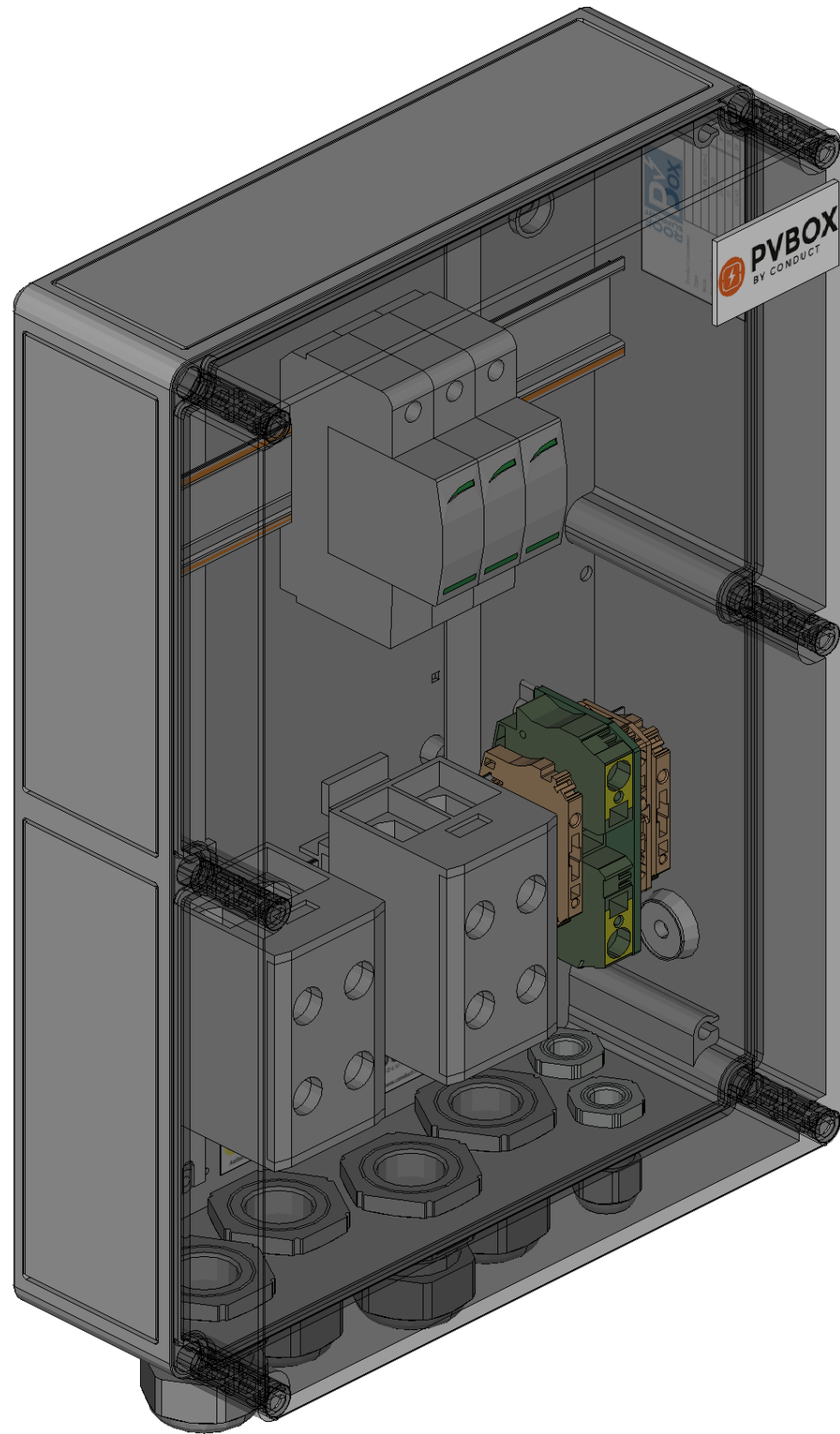
RoofSupport PVbox
SMA.SB.STP60.CP.T1.W

Index
Drawn by: S. Vanpraet
Date: 18-2-2019

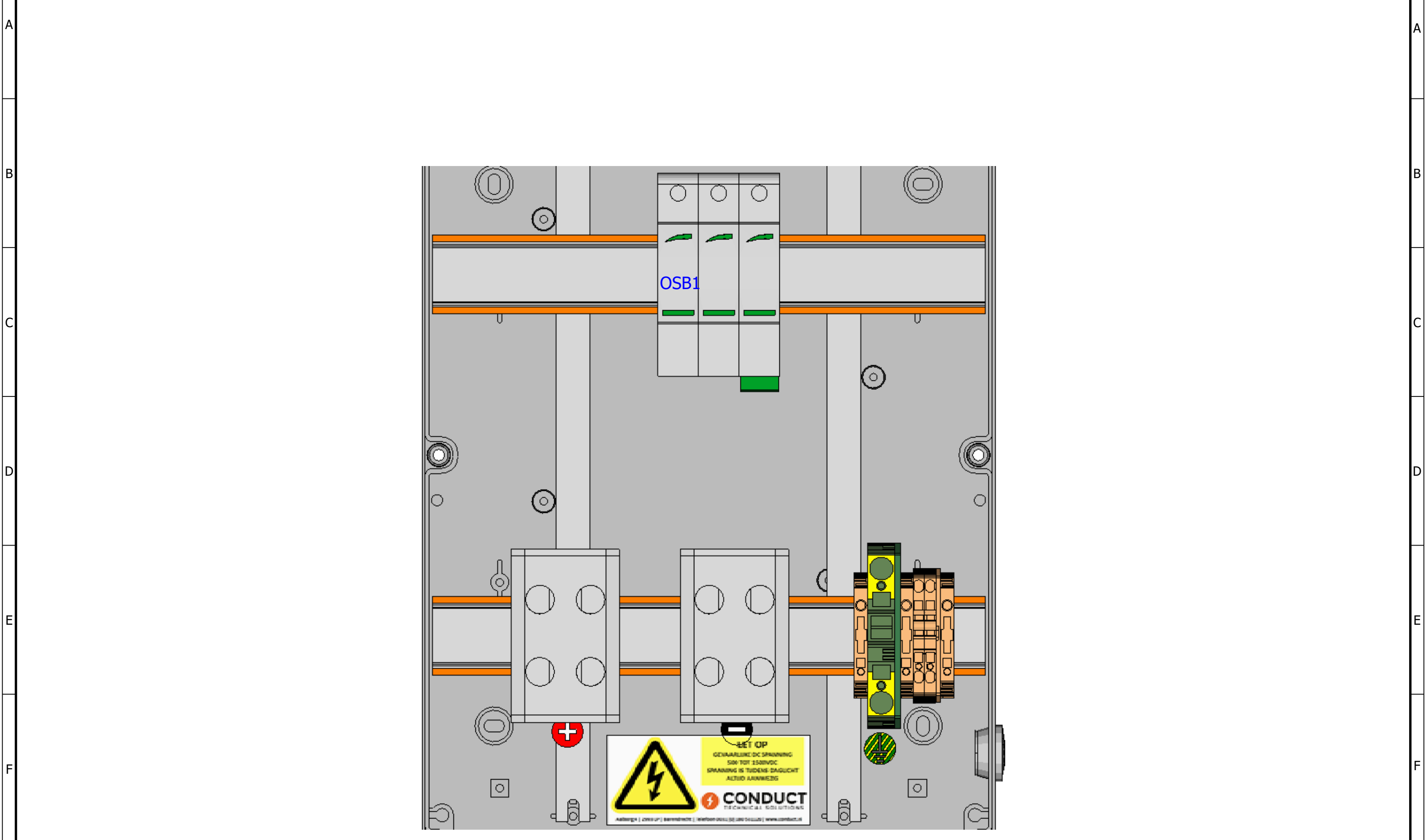
Page

050





0	1	2	3	4	5	6	7	8	9
DEVICE CODE	DESCRIPTION			TYPE	PART NUMBER		MANUFACTURER		
OSB1	OSB Type 1-2 DC			PSC3-5/1000 PV IR	77738378		Cirprotec		



	RoofSupport PVbox						Cabinet layout		Page
	SMA.SB.STP60.CP.T1.W						Drawn by: S. Vanpraet		601
						Date: 18-2-2019			

PRODUCT LIST

QUANTITY	DEVICE CODE	DESCRIPTION	TYPE	PART NUMBER	MANUFACTURER
1	OSB1	OSB Type 1-2 DC	PSC3-5/1000 PV IR	77738378	Cirprotec
3		End bracket	ZES 35/2	3811.2	Conta-Clip
1		Feed-through terminal block	ZSL16/2A	3637.2	Conta-Clip
1		End plate	ZAP16/2A groen	3799.1	Conta-Clip
2		Feed-through terminal block	ZRK2,5/2A beige	3500.2	Conta-Clip
1		End plate	ZAP2,5/2A beige	3700.2	Conta-Clip
1		Sticker Type	Sticker	Sticker	GTV
1		Sticker PVbox	Sticker	Sticker	GTV
1		Sticker "Let op: gevaarlijke DC spanning"	Sticker	Sticker	GTV
2		Connection block	VC05-0025	1914121	Ouneva
1		TK PS 3625-11-to	TK PS 3625-11-to	11101201	Spelsberg
1		26242001	BST M20	26242001	Spelsberg
1		External fixing lugs	TK ABL	19400101	Spelsberg
2		Cable gland M16X1,5	ESKV16	10066411	Wiska
2		Gland locknut M16X1,5	EMUG16	10060771	Wiska
4		Cable gland M32X1,5	ESKV32	10066414	Wiska
4		Gland locknut M32X1,5	EMUG32	10060774	Wiska

CNC: CP.1.NF.T1.NSX.1IN.1OUT.W32
Pos.:



RoofSupport PVbox
SMA.SB.STP60.CP.T1.W

Product list

Drawn by: S. Vanpraet
Date: 18-2-2019

Page

700